



Part No. 2320-0048

K1913 081809

Detachable, Adjustable Mounting Kit for MS Batwing Fairing for HD Roadking, and Memphis Fats / Slims Windshields

Detachable system allows easy removal. Stylish and Functional

Before assembly, read Warnings inside



WARNING

1. During installation, make sure that the fairing / windshield and hardware do not interfere with any cables or wiring when the forks are turned all the way in either direction. Also make sure, through the full range of adjustment, that the fairing / windshield and hardware do not hit the gas tank.
2. This is a detachable fairing / windshield, ALWAYS make sure the locking mechanism is fully engaged after installing the fairing / windshield.
3. The improper installation of this kit and related components could result in serious injury or death.



CAUTION

1. Memphis Shades fairings and windshields are made from Lucite® acrylic, and will last for years with proper care. Clean your product with plenty of soapy water (mild dishwashing liquid is best) and a soft cotton cloth. Use your bare hands to feel and dislodge bugs, or cover with a wet, soapy towel and let it soak. Don't use paper towels and scrape with anything. Small scratches can be removed with NOVUS #2.
2. Never use any glass cleaning products, petroleum based chemicals, or cleaning agents with ammonia, bleach or any other harsh chemicals. This includes (but not limited to) RainX, brake fluid, acetone, paint thinner, benzene and gasoline. "If it hurts your nose, it will hurt the plastic."
3. Glass cleansing agents will cause severe damage to your fairing, and will void your warranty.

Memphis Shades warrants all product components, metal and plastic, against defects in materials and workmanship for 24 months.

For Parts and Warranty Help, Contact:

Memphis Shades, Inc.

P.O. Box 429

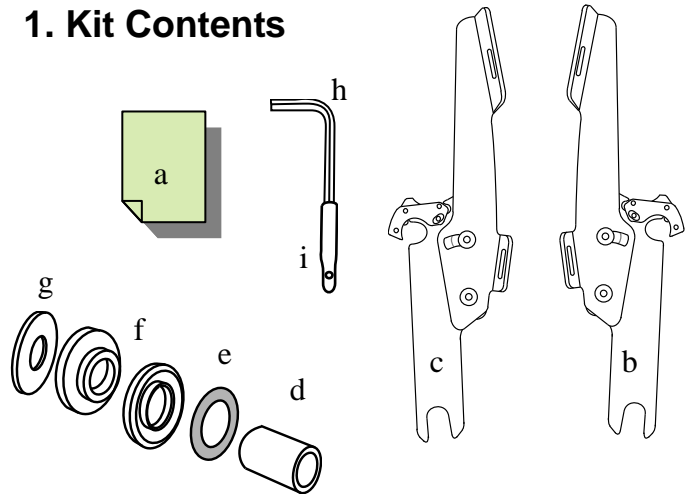
Rossville, TN 38066

(901) 853 0293

Visit us on the web at www.memphisshades.com or you can also reach us by email:

customerservice@memphisshades.com

1. Kit Contents



Ref	Part #	Description	Qty
(a)	K1913	Mounting Instructions	1
(b)	M1290	Clutch side Mounting Plate	1
(c)	M1291	Throttle side Mounting Plate	1
(d)	M952	Roadking Bushing Insert	4
(e)	R324	#207 EPDM O Ring	4
(f)	R323	Bushing Assembly (2 piece)	4
(g)	M321	Flat Washer	4
(h)	M310	3/16" Short Arm Allen Wrench	1
(i)	M313	3/16" Short Arm Allen Wrench Cover	1

2. Mounting Instructions

1. Additional tools required, not included in this kit: 1/2" wrench or socket.
2. **Cover the gas tank and front fender with towels to avoid damage during installation.**
- 3a. Fit plates to MS Fairing
Install the two mounting plates onto the fairing using the nuts and washers supplied. The small tab goes to the bottom of the fairing, the big one goes to the top. The tabs point in towards the headlight (See Fig 1a).
- 3b. Fit plates to MS Fats / Slims
Install the two mounting plates on the windshield using the bottom and third bolt up. Leave the washers off. The small tab goes to the bottom of the windshield, the big one goes to the top. The tabs point in towards the headlight (See Fig 1b)
4. Remove the top and bottom acorn nut and washer on each side of the light bar (Fig 2)
5. Remove the light bar. Remove each rubber grommet and replace with new bushing assembly that includes aluminum bushing insert, plastic bushing with O Ring toward headlight and then stainless steel washer (Fig 3). Refit the light bar. Washer must be between light bar and bushing assembly. Loosely reinstall acorn nuts. Note: In some cases where the stud is too short to install the clutch cable guide it may be necessary to back out stud by tightening two 5/16" - 18 nuts together on stud and unscrew one or two turns.

Detachable, Adjustable Mounting Kit for MS Batwing Fairing for HD Roadking, and Memphis Fats / Slims Windshields

2. Mounting Instructions (cont'd)

6. Slip the fairing and the mounting plates onto the upper and lower bushings, and secure the left and right locking mechanism. (See Figs 4a and 4b). Tighten all four light bar acorn nuts.
7. This is a detachable fairing, ALWAYS make sure the Locking Mechanism is fully engaged after installation (See Fig 5)
8. Use the slotted holes in the plates to adjust the height and rake angle for the best fit.

Fig 3

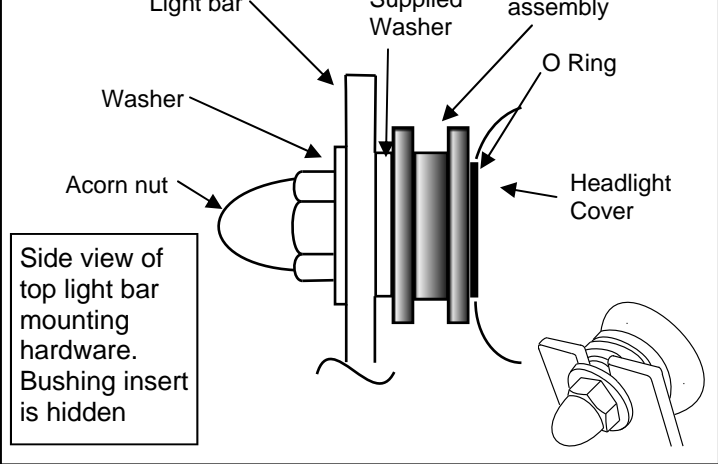


Fig 1a

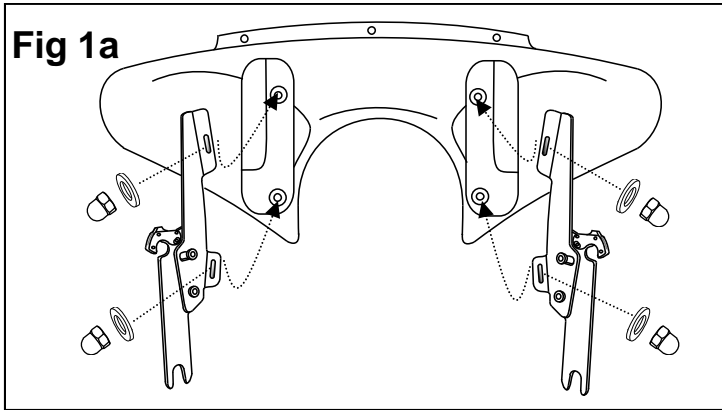


Fig 4a

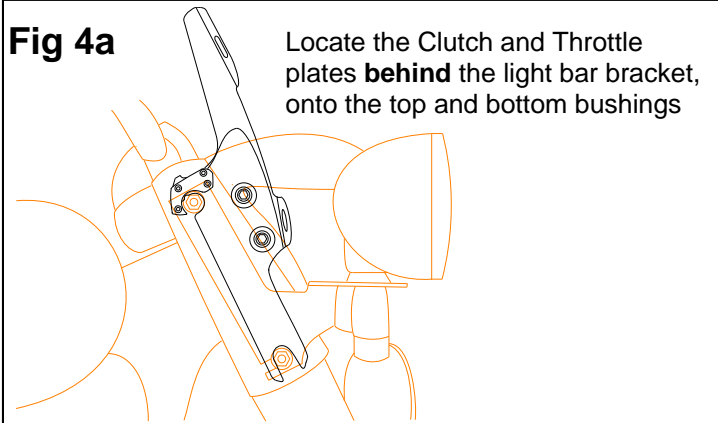


Fig 1b

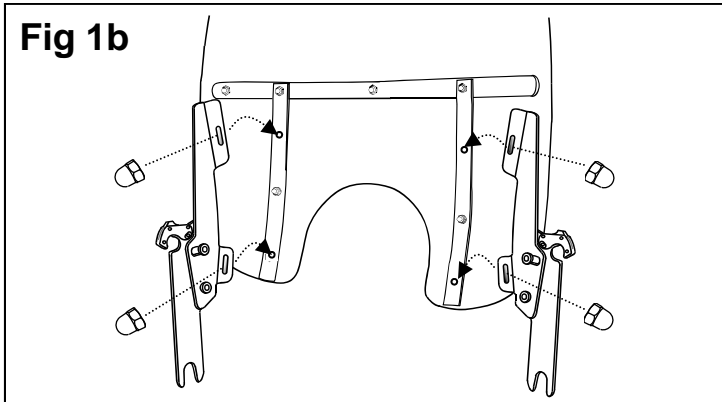


Fig 4b

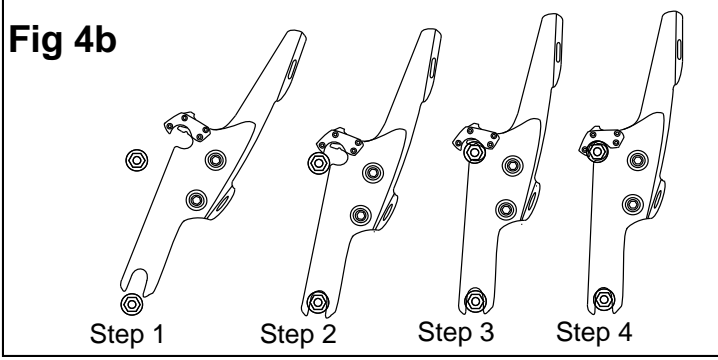


Fig 2

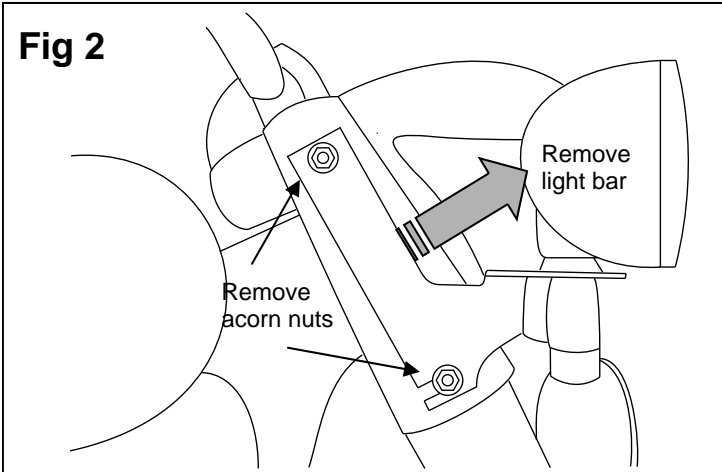


Fig 5

