



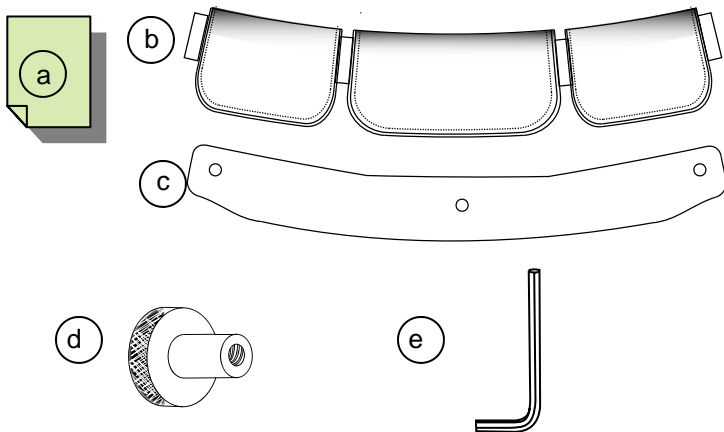
Part No. 3508-0011

M0912 020509

Fairing Storage Tri-pouch.

Use with Memphis Shades Batwing Fairing and Windshield. Made of weather resistant LeatherTek with Velcro fasteners.

1. Kit Contents

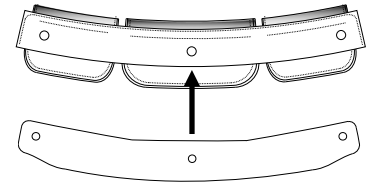


Ref	Part #	Description	Qty
(a)	I0912	Mounting Instructions	1
(b)	M976	Tri-pouch	1
(c)	M977	Tri-pouch ABS Insert	1
(d)	M981	1" Nylon Shoulder Nut	3
(i)	M943	5/32 Short arm allen wrench	1

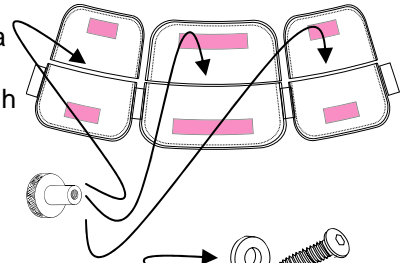
2. Mounting Instructions

1. Additional tools required, not included in this kit: 7/16" or 11mm wrench. Phillips head screw driver (for applications that already have a Molded Trim fitted)

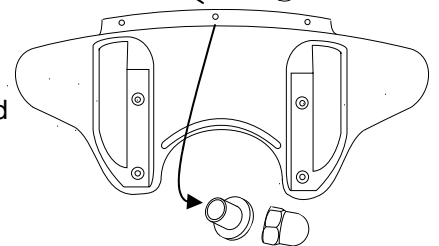
2. Insert the ABS Insert into the sleeve on the reverse of the tri-pouch. The textured surface should face toward the rider.



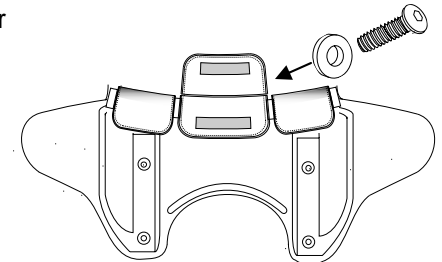
3. Open each pouch. Push a 1" Nylon Shoulder Nut through each hole, through the ABS Insert and out of the rear of the pouch.



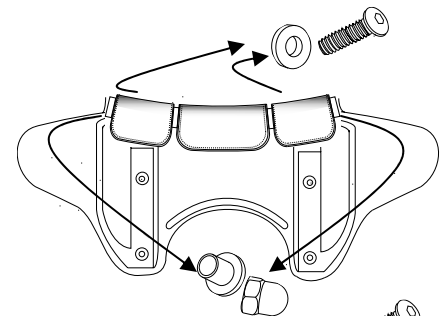
4. Remove the existing acorn nut from the center hole. Withdraw the Screw, Washer and Spacer. Retain the Screw and Washer.



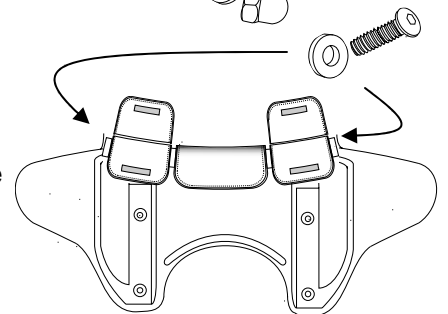
5. Align the Tri-pouch over the center hole and re-insert the Screw with Washer through the front of the fairing. Secure in place, inside the middle pouch using the 1" Nylon Shoulder Nut.



6. Remove the existing acorn nuts from the left and right holes. Withdraw the Screws, Washers and Spacers. Retain the Screws and Washers.



7. Re-insert a screw with Washer through the remaining holes in the front of the fairing. Secure in place, inside the left and right pouches, using the 1" Nylon Shoulder Nut.



Memphis Shades warrants all product components, metal and plastic, against defects in materials and workmanship for 24 months.

For Parts and Warranty Help, Contact:

Memphis Shades, Inc.
P.O. Box 429
Rossville, TN 38066
(901) 853 0293

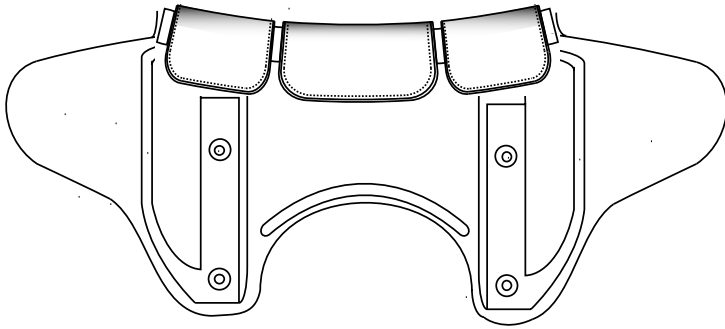
Visit us on the web at www.memphisshades.com or you can also reach us by email: customerservice@memphisshades.com



Part No. 3508-0011

M0912 020509

Fairing Storage Tri-pouch.



The Fusion of Style & Function