



MOUNTING INSTRUCTIONS

2321-0103 DETACHABLE PLATES ONLY YAMAHA V-STAR CLASSIC 650/1100, BLACK

! WARNING

CAUTION

Read and follow these directions carefully. During installation, make sure that the fairing and hardware do not interfere with any cables or wiring when the forks are turned all the way in either direction. Also make sure, through the full range of adjustment, that the fairing and hardware do not hit the tank.

This is a detachable fairing, **ALWAYS** make sure the Locking Mechanism is Fully Engaged after installing the fairing! The improper installation of this kit and related components could result in serious injury or death.

Additional tools required that are not included in this kit. 7/16" or 11mm wrench.

1. Cover the gas tank and front fender with towels to avoid damage during installation.
2. Attach the mounting plates to the bolts on the fairing with the washers and acorn nuts provided. (See fig. 1).
3. Slip the fairing mounting plates and fairing onto the fork clamps (Fig 2 and Fig 3) and secure the left and right side locking mechanism.
4. Adjust the height, angle and alignment of the fairing and tighten **ALL** bolts.

Note: This is a detachable fairing, **ALWAYS** make sure the Locking Mechanism is Fully Engaged after installing the fairing! (see figure 3)

IMPORTANT CARE AND CLEANING INSTRUCTIONS

Memphis Shades Fairings and Lowerers are made of Lucite® acrylic, and will last for years with proper care. Clean your fairing with plenty of soapy water (mild dish-washing liquid is best) and a soft cotton cloth. Use your bare hand to feel and dislodge bugs, or cover with a wet soapy towel and let it soak. Don't use paper towels and don't scrape with anything. Small scratches can be removed with NOVUS # 2.

NEVER use any glass cleaning products, petroleum based chemicals, or cleaning agents with ammonia, bleach or any other harsh chemicals. This includes (but not limited to) RainX, brake fluid, acetone, paint thinner, benzene and gasoline. "If it hurts your nose, it will hurt the plastic."

Glass cleansing agents will cause severe damage to your fairing, and will void your warranty.

NOTE: At certain times of the day the Sunlight can reflect off the curvature of a fairing and cause extreme heat build-up on motorcycle instruments and instrument panel. Take care when parking. Park facing the sun, place an opaque object over the instruments or adjust the fairing to avoid reflections.

Fig 1

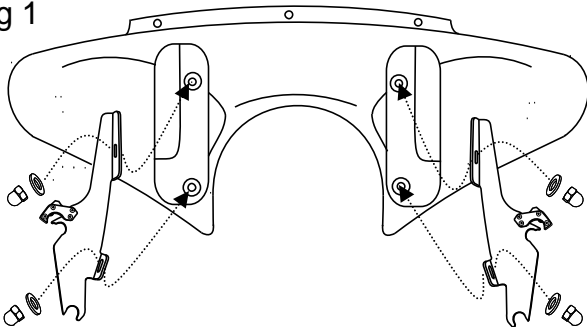
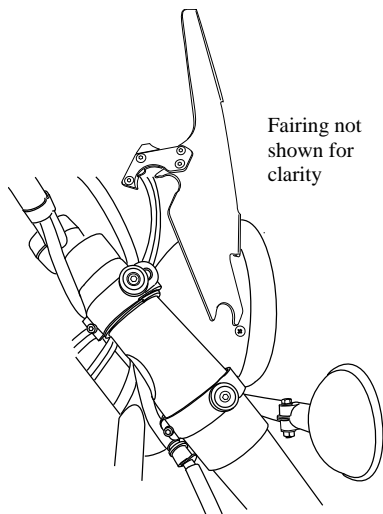
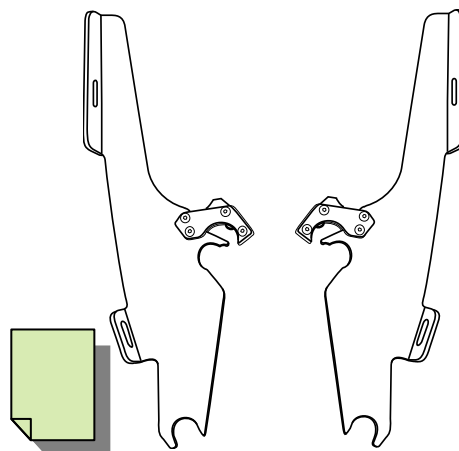


Fig 2



2321-0103 contents

Part #	Description	Qt
M8892	Mounting Instructions	1
M1229	Left Mounting Plate, Black	1
M1228	Right Mounting Plate, Black	1

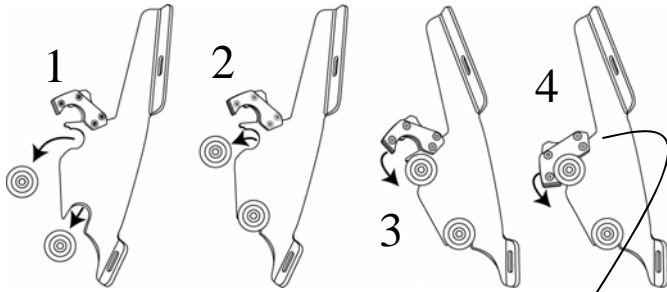




MOUNTING INSTRUCTIONS

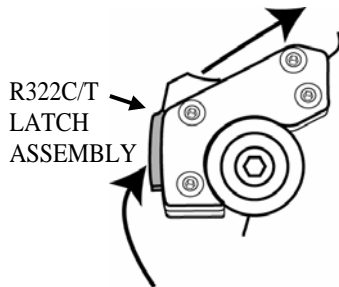
2321-0103 DETACHABLE PLATES ONLY YAMAHA V-STAR CLASSIC 650/1100, BLACK

Fig 3

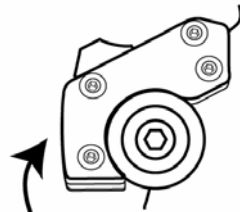


1. Place lower slot into lower bushing. 2. Rotate top slot into place. 3. & 4. Secure locking Mechanism.

Detail



NOT CORRECT



CORRECT
*Fully engaged
Locking mechanism*

Memphis Shades warrants all product components, metal and plastic, against defects in materials and workmanship for 24 months.

FOR PARTS AND WARRANTY HELP, CONTACT:

MEMPHIS SHADES
P. O. Box 429
Rossville, TN 38066
(901) 853-0293

Visit us on the web at www.memphisshades.com or

You can also reach us by email:
customerservice@memphisshades.com