



# MOUNTING INSTRUCTIONS



## 2321-0028 SPORTSHIELD 9" HDLT. MOUNTING KIT 2005 SUZUKI BOULEVARD C90

### ⚠ WARNING

Read and follow these directions carefully. During installation, make certain that when turning the forks, there can be no interference with wiring or cables AND, that the windshield and or hardware can not hit the gas tank, through the windshield's full range of adjustment.

This is a quick change kit, **ALWAYS** tighten all mounting bolts after removing or installing the windshield!

The improper installation of this kit and related compo-

Additional tools required, that are not included in this kit. Phillips Head Screwdriver, 1/4" drive 13mm socket and ratchet.

1. Cover gas tank and front fender with towels to avoid damage during installation.

2. Install the mounting plates on the windshield using the bolts that are pre-assembled on the mounting plates.

The santoprene grommets should be inserted through the holes in the windshield so that the flat round part of the grommet lies flat on each side of the plastic. Mounting tabs face in towards the headlight when correctly installed. (see Figure 1)

3. Remove the headlight lens and set it in a safe place, this will give you access to the upper turn signal Allen bolt. (see figure 2)

4. Remove the Allen bolts that hold the Turn Signal bar assembly and let it rest on the towel. One upper bolt and two lower bolts.

5. Locate the two threaded 8mm holes in the underside of the upper triple tree (one on each side) and *loosely* install the left and right bracket assembly using the (shorter) 8mm X 12mm SS Hex head bolt and 8mm SS flat washer. (see Fig. 3). *The top bolts will be tightened later, after the windshield is installed. It is easier to start and tighten the upper bolts from the backside of the fork. Turn the handlebars full left to access right side and full right to access the left side.*

6. Install the lower bracket using the (longer) 8mm socket head cap screws and washers into the threaded holes in the front of the lower triple tree in this order. Bolt, washer, Bracket and washer behind the bracket. (see Figure 3 and 5)

6. Continued: **NOTE:** make sure that only the brake lines are under the bracket and **NOT** the turn signal wires. Do not pinch them.

7. Loosen the anchoring bolts and slip the windshield onto the mounting brackets, and tighten the anchoring bolts. (see figure 4)

8. Now with the windshield in place, tighten the two upper bracket bolts. Remove the windshield. (see Figure 6)

8. Install the turn signal bar, followed by the headlight lens by reversing step 3 and 4. *Note: make sure all wires are free and not pinched.*

9. Repeat step 7. Adjust height, angle and tighten all bolts. This is a quick change kit. **ALWAYS** tighten all mounting bolts after removing or installing the windshield.

### CAUTION

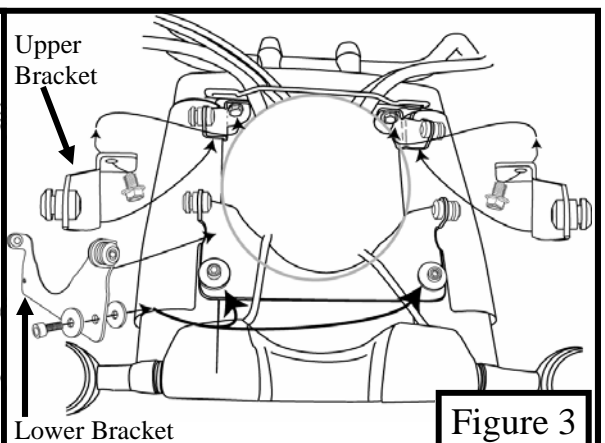
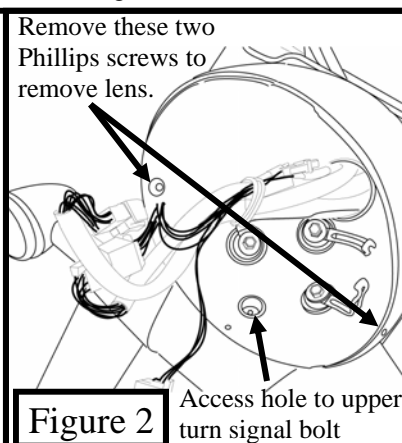
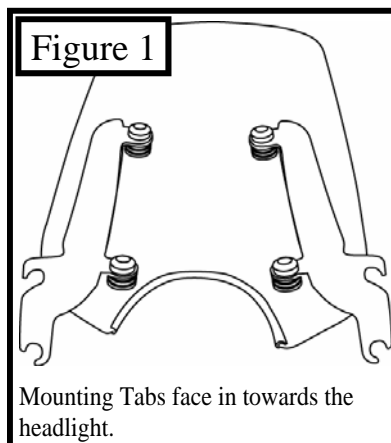
#### IMPORTANT CARE AND CLEANING INSTRUCTIONS

Memphis Shades Windshields and Lowers are made of Lucite® acrylic, and will last for years with proper care. Clean your windshield with plenty of soapy water — mild dishwashing liquid is best — and a soft cotton cloth. Use your bare hand to feel and dislodge bugs, or cover with a wet soapy towel and let it soak. Don't use paper towels and don't scrape with anything. Small scratches can be removed with NOVUS # 2.

**NEVER** use any glass cleaning products, petroleum based chemicals, or cleaning agents with ammonia, bleach or any other harsh chemicals. This includes (but not limited to) RainX, brake fluid, acetone, paint thinner, benzene and gasoline. "If it hurts your nose, it will hurt the plastic."

**Glass cleansing agents will cause severe damage to your windshield, and will void your warranty.**

**NOTE:** At certain times of the day the Sunlight can reflect off the curvature of a windshield and cause extreme heat build-up on motorcycle instruments and instrument panel. Take care when parking. Park facing the sun, place an opaque object over the instruments or adjust the windshield to avoid reflections.





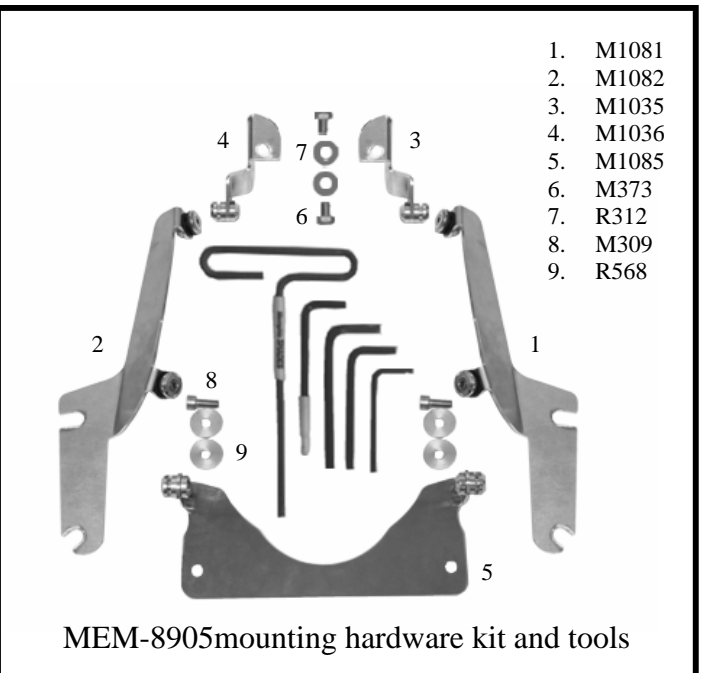
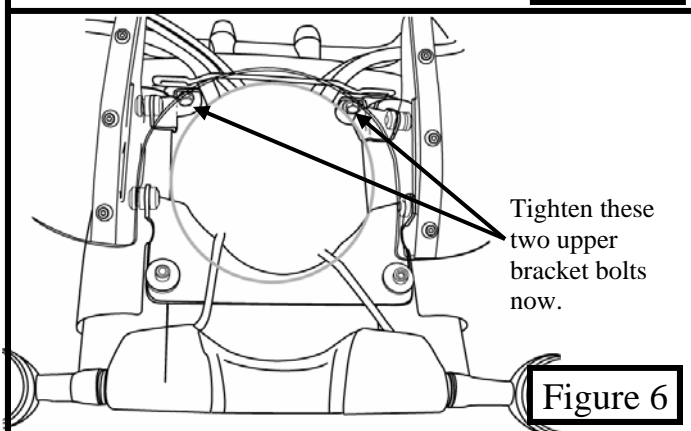
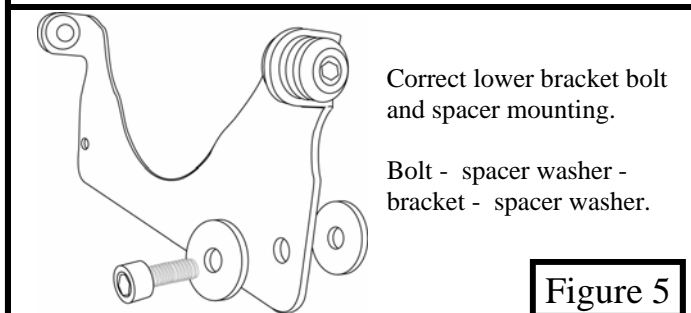
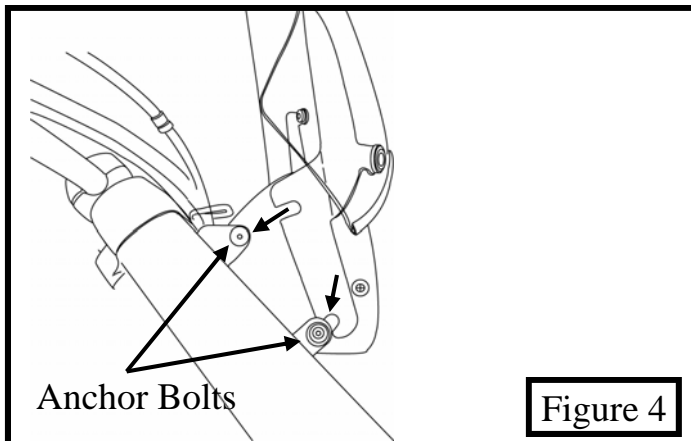
# MOUNTING INSTRUCTIONS



## 2321-0028 SPORTSHIELD 9" HDLT. MOUNTING KIT 2005 SUZUKI BOULEVARD C90

PART #	DESCRIPTION	QTY.
M8905	MOUNTING INSTRUCTIONS	1
M1081	LEFT MOUNTING PLATE	1
M1082	RIGHT MOUNTING PLATE	1
M373	8mm X 12mm HEX HEAD BOLT	2
R312	8mm SS FLAT WASHER	2
M1035	LEFT UPPER BRACKET	1
M1036	RIGHT UPPER BRACKET	1
M1085	LOWER BRACKET	1
M453	1-1/8" SPACER WASHER	4
M505	BUTTON NUT	8
M586	RECESSED SPACER WASHER	4
M501	BEVELED SOCKET WASHER	4

PART #	DESCRIPTION	QTY.
M302	1/4" - 20 X 1/2" SOCKET HEAD CAP SCREW	8
M309	8mm X 20mm SOCKET HEAD CAP SCREW	2
M543	SANTOPRENE GROMMET	4
M504	SOCKET SHOULDER WASHER	4
M310	3/16" SHORT ARM ALLEN WRENCH	1
M313	3/16" ALLEN WRENCH COVER	1
M314	3/16" T-HANDLE ALLEN WRENCH	1
M337	3/16" T-HANDLE ALLEN WRENCH COVER	1
M312	4mm SHORT ARM ALLEN WRENCH	1
R303	5mm SHORT ARM ALLEN WRENCH	1
M311	6mm SHORT ARM ALLEN WRENCH	1
R568	1-1/8" SPACER WASHER	4



Memphis Shades warrants all product components, metal and plastic, against defects in materials and workmanship for 24 months.

**FOR PARTS AND WARRANTY HELP, CONTACT:**

MEMPHIS SHADES  
P. O. Box 429  
Rossville, TN 38066  
(901) 853-0293

Visit us on the web at [www.memphisshades.com](http://www.memphisshades.com) or you can also reach us at [customerservice@memphisshades.com](mailto:customerservice@memphisshades.com)