



# MOUNTING INSTRUCTIONS

2321-0026 Fats/Slims 9" Headlight



## SUZUKI BOULEVARD C-90 1500 (2005) MOUNTING KIT

### ⚠ WARNING

Read and follow these instructions carefully.

During installation, make certain that when turning the forks, there can be no interference with wiring or cables AND, that the windshield/hardware can not hit the gas tank, through the windshield's full range of adjustment.

This is a quick change kit, **ALWAYS** tighten all mounting bolts after removing or installing the windshield!

The improper installation of this kit and related components could result in serious injury or death.

Additional tools required, that are not included in this kit: Phillips Head Screwdriver, 1/4" drive 13mm socket and ratchet.

1. Cover gas tank and front fender with towels to avoid damage during installation.

2. Install the two mounting plates onto the windshield, using the bottom and third bolt up. Leave the nylon washers off. The small tab goes to the bottom, big one at the top. (see Figure 1) *Tabs face out away from the headlight when installed correctly.*

3. Remove the headlight lens and set it in a safe place. This will give you access to the upper bolt on the Turn Signal Bar assembly. (see figure 2)

4. Remove the (3) socket head cap screws that hold the Turn Signal bar assembly and let it rest on the towel.

5. Locate the two threaded holes in the underside of the upper triple tree (one on each side) and **loosely** install the left and then the right bracket assembly using (shorter) 8mm X 12mm SS Hex head bolts and 8mm SS flat washers. (see Fig. 3). *The bolts will be tightened later, after the windshield is installed. It is easier to start and tighten these bolts from the backside of the fork. Turn the handlebars full left to access the right side and full right to access the left side.*

6. Install the lower anchor bracket on the front of the lower triple tree. Use the 8mm socket head cap screws. On each put a 1 1/8" aluminum washer in front of and behind the bracket. (see Figure 3 and 5)

**NOTE:** make sure that only the brake lines are under the

bracket and **NOT** the turn signal wires. Do not pinch them.

7. Loosen the anchor bolts and slip the windshield onto the mounting brackets, and tighten the anchor bolts. (see figure 4)

8. Now, with the windshield firmly in place, tighten the two upper bracket bolts, from step 5. Remove the windshield. (see Figure 6)

8. Install the turn signal bar, followed by the headlight lens by reversing step 3 and 4. *Note: make sure all wires are free and not pinched.*

9. Repeat step 7. Adjust height, angle and tighten all bolts. This is a quick change kit. **ALWAYS** tighten all mounting bolts after removing or installing the windshield.

### CAUTION

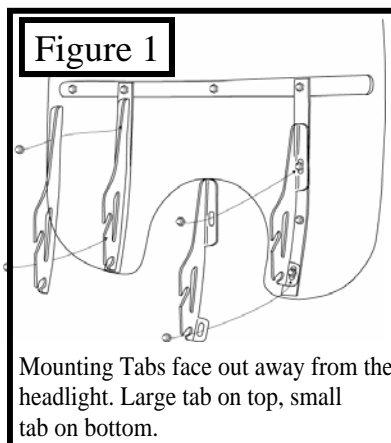
#### IMPORTANT CARE AND CLEANING INSTRUCTIONS

Memphis Shades Windshields and Lowers are made of Lucite® acrylic, and will last for years with proper care. Clean your windshield with plenty of soapy water — mild dishwashing liquid is best — and a soft cotton cloth. Use your bare hand to feel and dislodge bugs, or cover with a wet soapy towel and let it soak. Don't use paper towels and don't scrape with anything. Small scratches can be removed with NOVUS # 2.

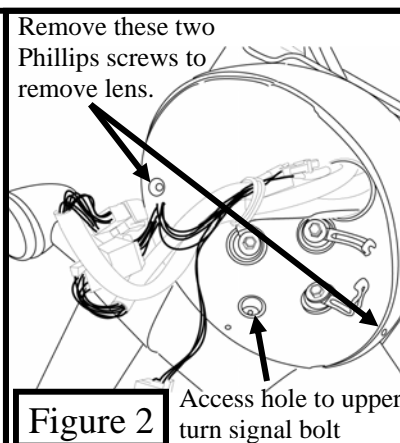
**NEVER** use any glass cleaning products, petroleum based chemicals, or cleaning agents with ammonia, bleach or any other harsh chemicals. This includes (but not limited to) RainX, brake fluid, acetone, paint thinner, benzene and gasoline. "If it hurts your nose, it will hurt the plastic."

**Glass cleansing agents will cause severe damage to your windshield, and will void your warranty.**

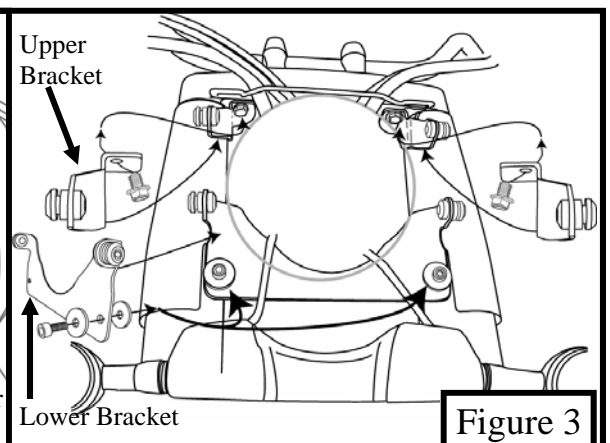
**NOTE:** At certain times of the day the Sunlight can reflect off the curvature of a windshield and cause extreme heat build-up on motorcycle instruments and instrument panel. Take care when parking. Park facing the sun, place an opaque object over the instruments or position the bike to avoid reflections.



Mounting Tabs face out away from the headlight. Large tab on top, small tab on bottom.



Remove these two Phillips screws to remove lens. Access hole to upper turn signal bolt



Upper Bracket Lower Bracket



# MOUNTING INSTRUCTIONS

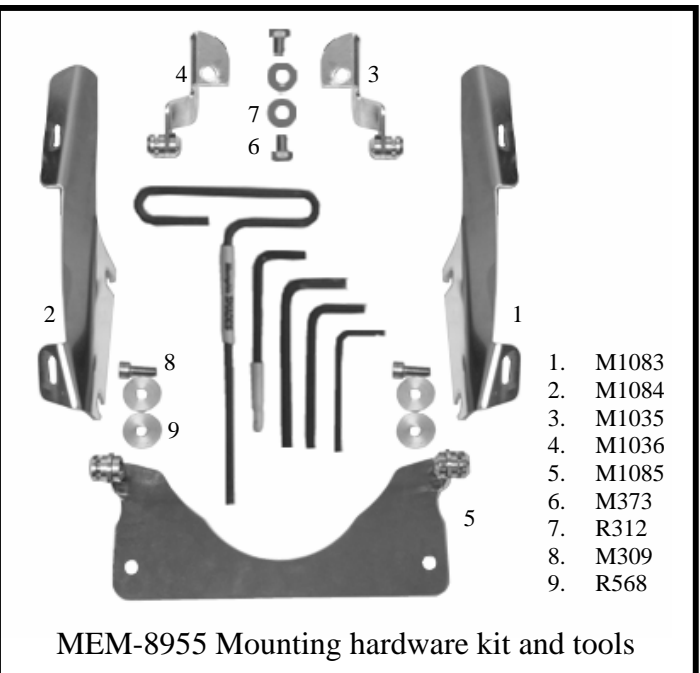
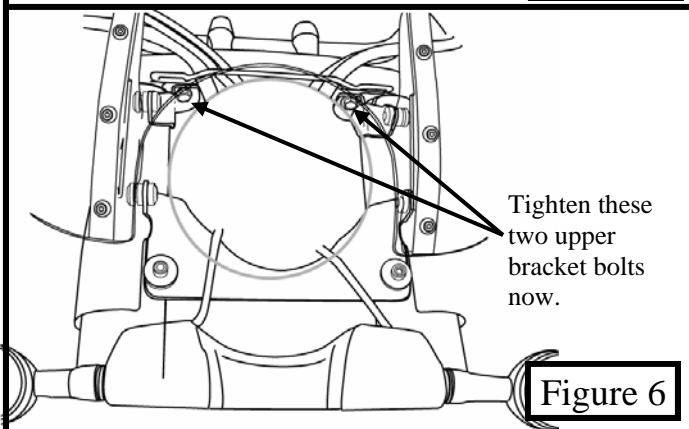
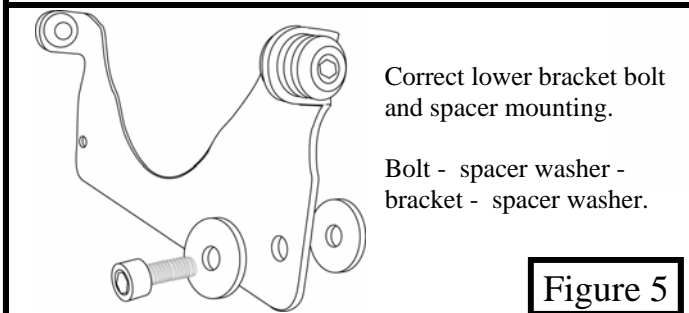
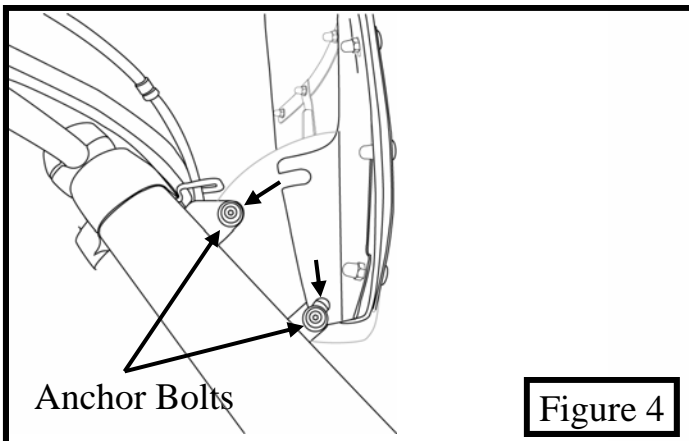
2321-0026 Fats/Slims 9" Headlight



## SUZUKI BOULEVARD C-90 1500 (2005) MOUNTING KIT

| PART # | DESCRIPTION              | QTY. |
|--------|--------------------------|------|
| M8955  | MOUNTING INSTRUCTIONS    | 1    |
| M1083  | LEFT MOUNTING PLATE      | 1    |
| M1084  | RIGHT MOUNTING PLATE     | 1    |
| M373   | 8mm X 12mm HEX HEAD BOLT | 2    |
| R312   | 8mm SS FLAT WASHER       | 2    |
| M1035  | LEFT UPPER BRACKET       | 1    |
| M1036  | RIGHT UPPER BRACKET      | 1    |
| M1085  | LOWER BRACKET            | 1    |
| R568   | 1-1/8" SPACER WASHER     | 4    |
| M505   | BUTTON NUT               | 4    |
| M586   | RECESSED SPACER WASHER   | 4    |

| PART # | DESCRIPTION                            | QTY. |
|--------|--|------|
| M501   | BEVELED SOCKET WASHER                  | 4    |
| M302   | 1/4" - 20 X 1/2" SOCKET HEAD CAP SCREW | 4    |
| M309   | 8mm X 20mm SOCKET HEAD CAP SCREW       | 2    |
| M310   | 3/16" SHORT ARM ALLEN WRENCH           | 1    |
| M313   | 3/16" ALLEN WRENCH COVER               | 1    |
| M314   | 3/16" T-HANDLE ALLEN WRENCH            | 1    |
| M337   | 3/16" T-HANDLE ALLEN WRENCH COVER      | 1    |
| M312   | 4mm SHORT ARM ALLEN WRENCH             | 1    |
| R303   | 5mm SHORT ARM ALLEN WRENCH             | 1    |
| M311   | 6mm SHORT ARM ALLEN WRENCH             | 1    |



Memphis Shades warrants all product components, metal and plastic, against defects in materials and workmanship for 24 months.

**FOR PARTS AND WARRANTY HELP, CONTACT:**

MEMPHIS SHADES  
P. O. Box 429  
Rossville, TN 38066  
(901) 853-0293

Visit us on the web at [www.memphisshades.com](http://www.memphisshades.com) or  
you can also reach us at  
[customerservice@memphisshades.com](mailto:customerservice@memphisshades.com)